

aquatica®

Function : Form : Fashion



Aquatica Delta

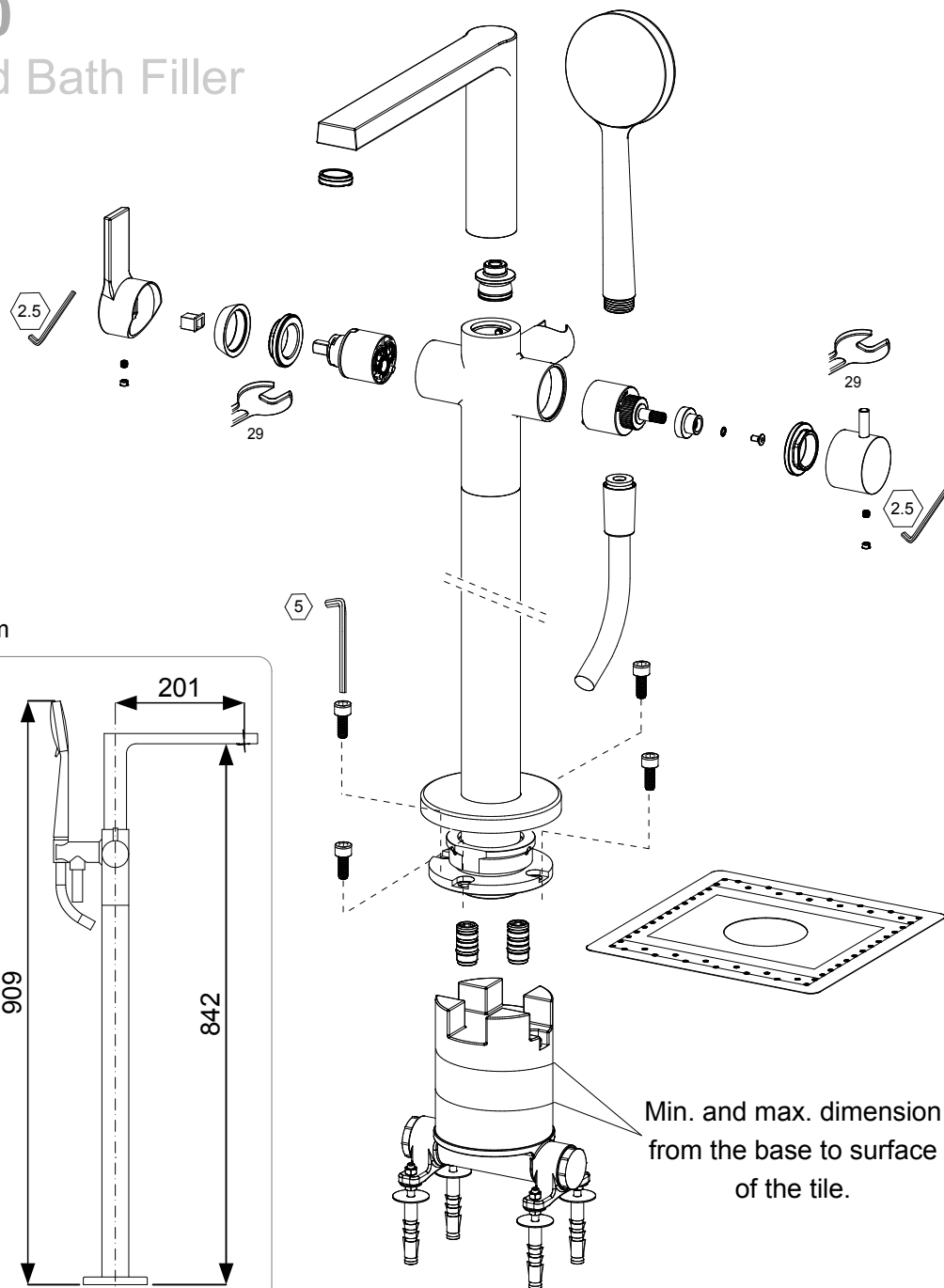
Floor Mounted Bath Filler – Chrome

Installation & Care Manual
Europe / International

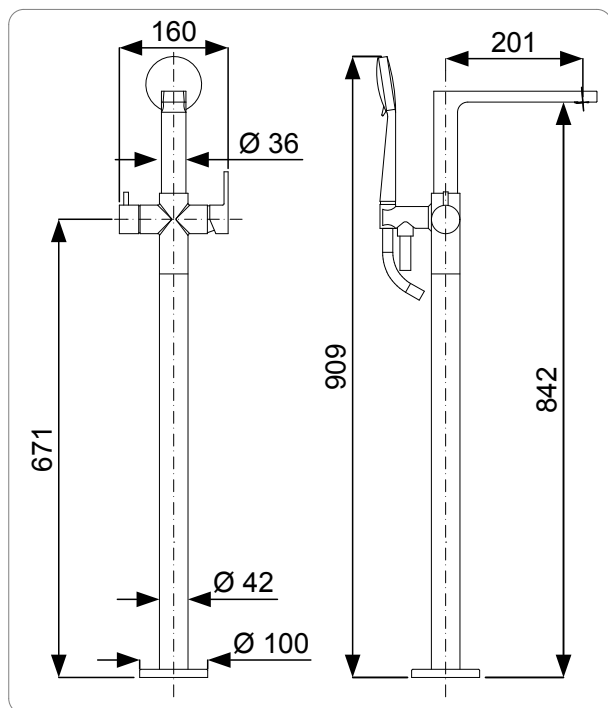
Delta-F-190

Floor Mounted Bath Filler

PARTS LIST




MEASUREMENTS: mm



SPECIFICATIONS

Recommended operational pressure	1-5 bar
Maximum test pressure	16 bar
Maximum hot water temperature	70 °C
Recommended temperature	50-60 °C
Pressure difference between hot and cold water	max. 1,5 bar

IMPORTANT NOTE

- Installation to be performed by qualified personnel 
- Before connecting to mains, bleed the pipes to avoid damage.

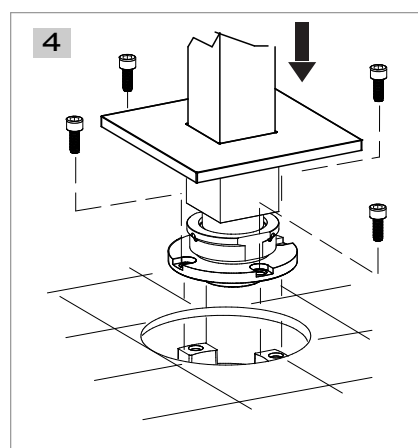
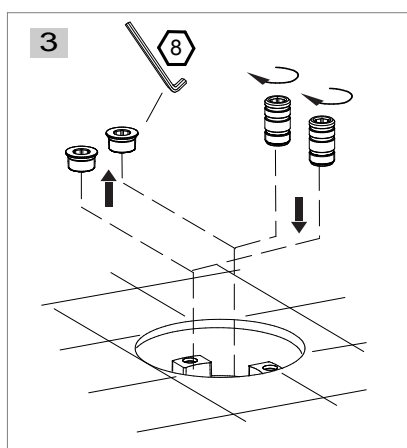
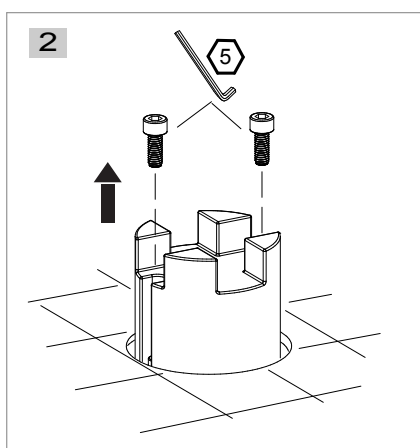
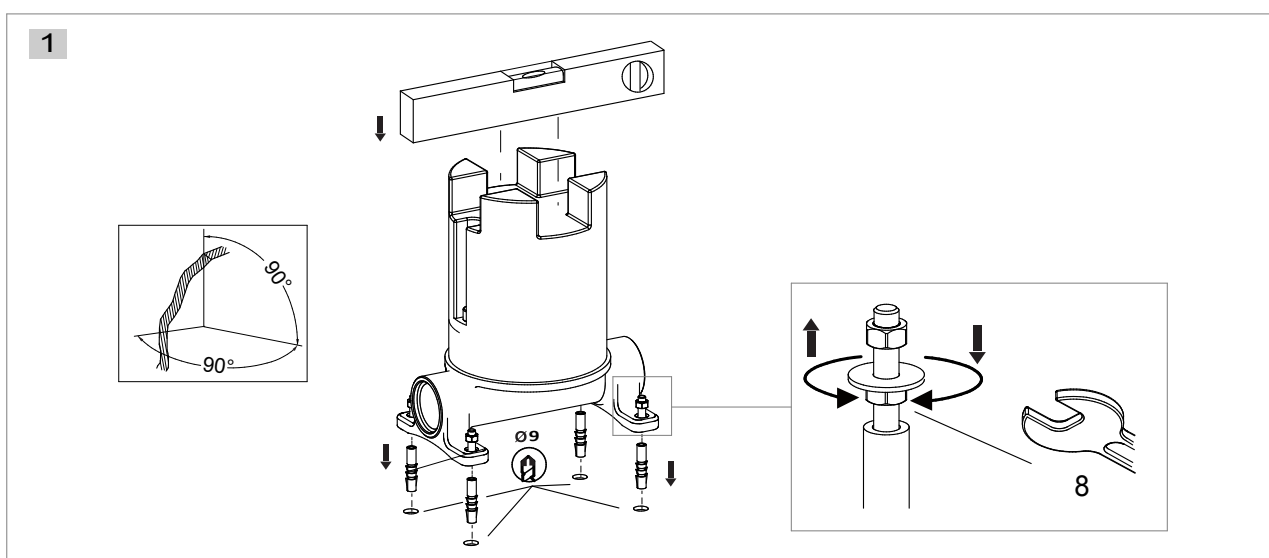
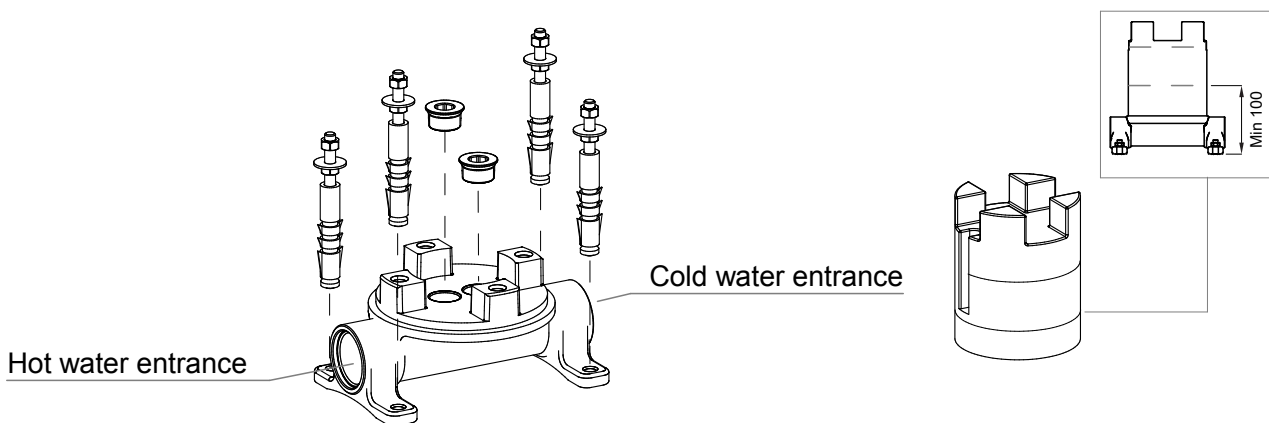
Delta-F-190

Floor Mounted Bath Filler

INSTALLATION SEQUENCE

aquatica®

Function : Form : Fashion



CLEANING TIPS



For a **correct cleaning** of the product use only water and neutral soap, rinse and dry with a soft cloth. Don't use alcohol, solvents, detergents containing corrosive or acid substances (hydrochloric, formic, acetic and phosphoric acid), abrasive sponges and plugs with metallic thread.

aquatica®

Function : Form : Fashion



aquatica®

Function : Form : Fashion

